



# MAZDA CX-5

## SPECIFICATIONS

# MAZDA CX-5

---

## GRADE OVERVIEW



### GLX

SKYACTIV-G 2.0 Front-Wheel Drive



### GSX

SKYACTIV-G 2.0 Front-Wheel Drive  
SKYACTIV-G 2.5 All-Wheel Drive



### Activ

SKYACTIV-G 2.5 All-Wheel Drive



### Limited

SKYACTIV-G 2.5 All-Wheel Drive



### SP25T

SKYACTIV-G 2.5 T All-Wheel Drive



### Takami

SKYACTIV-G 2.5 T All-Wheel Drive

---

# MAZDA CX-5

## EXTERIOR AND INTERIOR COLOURS

---



Soul Red Crystal Metallic (46V)



Machine Grey Metallic (46G)



Snowflake White Pearl Mica (25D)



Jet Black Mica (41W)



Deep Crystal Blue Mica (42M)



Sonic Silver Metallic (45P)



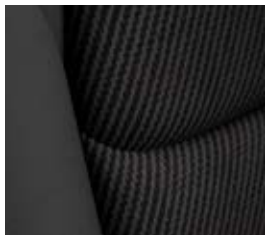
Polymetal Grey Metallic (47C)



Zircon Sand Metallic (48T)



Eternal Blue Mica (45B)



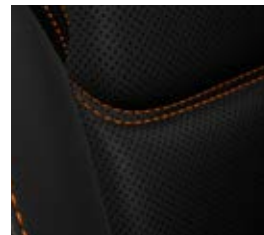
Cloth, Black



Leatherette / Suede, Black



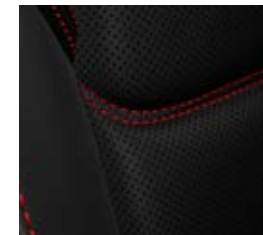
Leatherette / Suede, Black with green accents



Leather, Black with contrast stitching



Leather, White with contrast stitching



Leather, Black with red contrast stitching



Nappa Leather, Aged Merlot

---

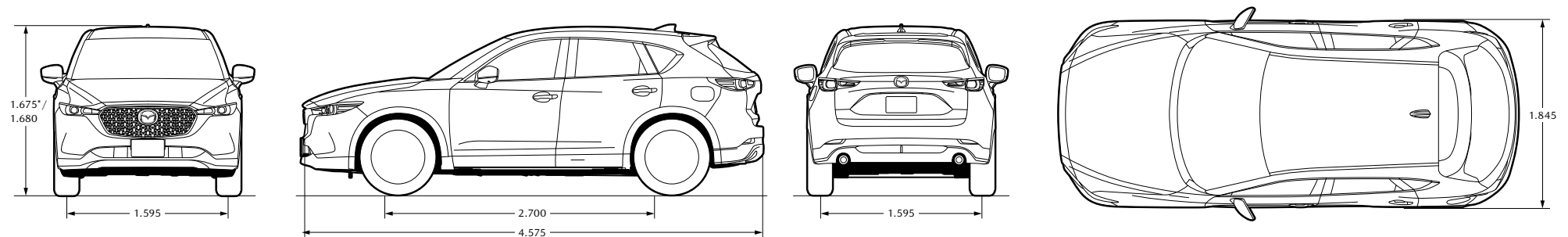
# MAZDA CX-5

## SPECIFICATIONS

MODEL		MAZDA CX-5			
Drivetrain		FWD	AWD		
Engine		SKYACTIV-G 2.0	SKYACTIV-G 2.5	SKYACTIV-G 2.5 T	
DIMENSIONS & WEIGHTS					
Overall length		mm	4,575	4,575	4,575
Overall width		mm	1,845	1,845	1,845
Overall height		mm	1,675	1,675* / 1,680	1,680
Wheelbase		mm	2,700	2,700	2,700
Track	Front / Rear	mm	1,595 / 1,595	1,595 / 1,595	1,595 / 1,595
Ground clearance	Laden / Unladen	mm	185 / 193	185* / 193* 193 / 200	193 / 200
Turning circle	Kerb to kerb	m	11.0	11.0	11.0
Luggage capacity (VDA)	2nd row upright	Floor board: upper/lower position	l	401 / 438	401 / 438
	2nd row folded	Floor board: upper/lower position	l	1,303 / 1,340	1,303 / 1,340
Gross vehicle weight		kg	2,025	2,140	2,175
Tare weight		kg	1,576	1,659 - 1,693**	1,730
Towing capacity	Unbraked / Braked	kg	750 / 1,800	750 / 1,800	750 / 2,000
Towball down load maximum weight		kg	80	80	80

\*\*Subject to model grade

## DIMENSIONS Unit: mm \*With 17-inch wheels



# MAZDA CX-5

## SPECIFICATIONS

MODEL		MAZDA CX-5					
Drivetrain		FWD		AWD			
Fuel		Petrol		Petrol			
ENGINE		SKYACTIV-G 2.0		SKYACTIV-G 2.5		SKYACTIV-G 2.5 T	
Type		In-line, 4-cylinder DOHC, 16-valve		In-line, 4-cylinder DOHC, 16-valve		In-line, 4-cylinder DOHC, 16-valve, turbocharged	
Displacement		cc	1,998	2,488	2,488		
Bore x stroke		mm	83.5 x 91.2	89.0 x 100.0	89.0 x 100.0		
Compression ratio			13.0:1	13.0:1	10.5:1		
Maximum power		kW/rpm	115/6,000	140/6,000	170/5,000		
Maximum torque		Nm/rpm	200/4,000	252/4,000	420/2,000		
Recommended fuel type			Unleaded 91RON or greater (up to E10)	Unleaded 91RON or greater (up to E10)	Unleaded 91RON or greater (up to E10)		
Fuel tank capacity		l	56	58	58		
Fuel consumption (l/100km)*		Combined NEDC (3P-WLTP)	6.9 (7.7)	7.4 (8.2)	8.2 (9.1)		
CO <sub>2</sub> emissions (g/km)*			161 (179)	172 (191)	191 (213)		
TRANSMISSION		SKYACTIV-DRIVE		SKYACTIV-DRIVE		SKYACTIV-DRIVE	
Type		6-speed automatic		6-speed automatic		6-speed automatic	
Gear ratios		1st	3.552	3.552	3.487		
		2nd	2.022	2.022	1.992		
		3rd	1.452	1.452	1.449		
		4th	1.000	1.000	1.000		
		5th	0.708	0.708	0.707		
		6th	0.599	0.599	0.600		
		Reverse	3.893	3.893	3.990		
Final gear ratio			4.624	4.624	4.411		
STEERING		Rack and pinion		Rack and pinion		Rack and pinion	
Power steering type		Electric Power-Assisted Steering		Electric Power-Assisted Steering		Electric Power-Assisted Steering	
SUSPENSION		MacPherson strut		MacPherson strut		MacPherson strut	
Type		Front	MacPherson strut	MacPherson strut	MacPherson strut		
		Rear	Multi-link	Multi-link	Multi-link		
BRAKES		Ventilated discs		Ventilated discs		Ventilated discs	
Type		Front	Ventilated discs	Ventilated discs	Ventilated discs		
		Rear	Solid discs	Solid discs	Solid discs		
Diameter		Front	mm	297	297	297	
		Rear	mm	303	303	303	
TYRES & WHEELS		225/65R17		225/65R17 or 225/55R19**		225/55R19	
Tyre size		225/65R17		225/65R17 or 225/55R19**		225/55R19	
Wheel size		17 x 7J		17 x 7J or 19 x 7J**		19 x 7J	
Spare wheel		Temporary steel spare		Temporary steel spare		Temporary steel spare	

\*\*Subject to model grade.

\*Mazda Fuel Consumption and Emissions figures are based on ADR 81/02 test results under the NEDC test programme. This data is useful in comparing the fuel consumption of different vehicles, however it may not be the fuel consumption achieved in practice. This will depend on traffic and road conditions, accessories fitted and how the vehicle is driven.

Please note that from December 2021 the NZTA has standardised the reporting of all Fuel Consumption and Emissions data based on 3-Phase WLTP, using a formula to convert NEDC to 3P-WLTP. This data will appear on websites such as Rightcar and Fuelsaver.

The details and specifications described are subject to change without notice. Please consult your local Mazda dealer for exact information.

# MAZDA CX-5

## EQUIPMENT

O: Standard Δ: Optional —: Not available

MODEL		MAZDA CX-5						
		FWD		AWD				
		SKYACTIV-G 2.0		SKYACTIV-G 2.5			SKYACTIV-G 2.5 T	
Grade		GLX	GSX	GSX	Activ	Limited	SP25T	Takami
<b>MECHANICAL</b>								
Mazda Intelligent Drive Select (Mi-Drive)	SPORT	O	O	O	O	O	O	O
	OFF-ROAD	—	—	—	O	—	—	O
<b>EXTERIOR</b>								
Tyres and wheels	225/65R17 with 17 x 7J aluminium wheels, silver metallic	O	O	O	—	—	—	—
	225/55R19 with 19 x 7J aluminium wheels, black machined	—	—	—	O	O	—	—
	225/55R19 with 19 x 7J aluminium wheels, black metallic	—	—	—	—	—	O	—
	225/55R19 with 19 x 7J aluminium wheels, high gloss silver	—	—	—	—	—	—	O
Headlights	LED with automatic levelling and dusk sensor	O	O	O	O	O	O	O
	High Beam Control (HBC)	O	O	O	O	—	—	—
	Adaptive Front lighting System (AFS)	—	O	O	O	—	—	—
	Adaptive LED Headlights (ALH)	—	—	—	—	O	O	O
	LED daytime running lights	—	O	O	O	O	O	O
Parking Aids	Sensors, front and rear	—	O	O	O	O	O	O
	Reversing camera	O	O	O	O	O	O	—
	360° View Monitor	—	—	—	—	—	—	O
Front grille	Piano black with chrome signature wing	O	O	O	—	O	—	O
	Black with yellow-green accent with chrome signature wing	—	—	—	O	—	—	—
	Piano black with red accent with black chrome signature wing	—	—	—	—	—	O	—
Bumpers and trim	Front & rear body coloured with black wheel arch and bumper moulding	O	O	O	—	O	—	—
	Front & rear body coloured with black wheel arch and bumper moulding, silver under guard and side skirt trims	—	—	—	O	—	—	—
	Front & rear body coloured with piano black wheel arch and bumper moulding	—	—	—	—	—	O	—
	Front & rear body coloured with body colour wheel arch and bumper moulding	—	—	—	—	—	—	O
Privacy glass	Rear side and rear windows	—	O	O	O	O	O	O
Door mirrors	Body coloured electrically-adjustable, heated, auto power-folding door mirrors	—	O	O	—	O	—	O
	Black electrically-adjustable, heated, auto power-folding door mirrors	—	—	—	O	—	O	—
Sunroof	Power tilt and slide	—	—	—	—	O	O	O
Power tailgate	With remote operation	—	—	—	—	O	O	—
	With handsfree operation	—	—	—	—	—	—	O

# MAZDA CX-5

## EQUIPMENT

O: Standard Δ: Optional —: Not available

MODEL		MAZDA CX-5						
		FWD		AWD				
		SKYACTIV-G 2.0		SKYACTIV-G 2.5			SKYACTIV-G 2.5 T	
Grade		GLX	GSX	GSX	Activ	Limited	SP25T	Takami
<b>INTERIOR</b>								
Interior mirror	Day/night, automatic	—	O	O	O	O	O	—
	Day/night, automatic, frameless type	—	—	—	—	—	—	O
Infotainment	AM/FM radio, Bluetooth® hands-free system	O	O	O	O	O	O	O
	MZD Connect 8-inch centre display, 6 speakers	O	O	O	—	—	—	—
	Mazda Connect 10.25-inch centre display, 6 speakers	—	—	—	O	—	—	—
	Mazda Connect 10.25-inch centre display, Bose® sound system, 10 speakers	—	—	—	—	O	O	O
	Navigation system with 3-year map updates	Δ	O	O	O	O	O	O
	Android Auto™ connectivity	USB	USB	USB	USB	USB	USB	USB
	Apple CarPlay™ connectivity	USB / Wireless	USB / Wireless	USB / Wireless	USB	USB	USB	USB
Instrument cluster meter set	7-inch TFT centre display	—	—	—	O	O	O	O
Active Driving Display (ADD)	Windscreen projection	—	O	O	O	O	O	O
Air conditioning	Manual	O	—	—	—	—	—	—
	Automatic dual-zone with rear vents	—	O	O	O	O	O	O
Headlining	Light	O	O	O	O	O	—	—
	Black	—	—	—	—	—	O	O
Steering wheel	Leather	O	O	O	O	O	O	O
	Automatic transmission gearshift paddles	—	O	O	O	O	O	O
	Steering wheel heating	—	—	—	—	—	—	O
<b>SEATS</b>								
Interior trim	Cloth	Black	—	—	—	—	—	—
	Leatherette / Suede	—	Black	Black	Black, green accents	—	—	—
	Leather	—	—	—	—	Black (Δ White), contrast stitching	Black, red contrast stitching	—
	Nappa leather	—	—	—	—	—	—	Aged Merlot
Seats (front)	Driver's seat with manual slide, recline and height adjustment	O	O	O	O	—	—	—
	Driver's seat with power slide, recline, height and lumbar adjustment	—	—	—	—	O	O	O
	Front passenger's seat with manual slide, recline and height adjustment	O	O	O	O	—	—	—
	Front passenger's seat with power slide, recline and height adjustment	—	—	—	—	O	O	O
	Memory function for driver's seat	—	—	—	—	O	O	O
	Heated with 3-stage setting	—	—	—	—	O	O	O
	Ventilated with 3-stage setting	—	—	—	—	—	—	O
Seats (rear)	Reclining, 40:20:40-split fold-down mechanism	O	O	O	O	O	O	O
	Centre armrest with USB ports and cup holders	O	O	O	O	O	O	O
	Heated outer seats with 3-stage setting	—	—	—	—	—	—	O

# MAZDA CX-5

## EQUIPMENT

O: Standard Δ: Optional —: Not available

MODEL		MAZDA CX-5						
		FWD		AWD				
		SKYACTIV-G 2.0		SKYACTIV-G 2.5			SKYACTIV-G 2.5 T	
Grade		GLX	GSX	GSX	Activ	Limited	SP25T	Takami
<b>SAFETY†</b>								
Airbags	Front driver and passenger, front side airbags, curtain airbags	O	O	O	O	O	O	O
Anti-lock braking system (ABS)		O	O	O	O	O	O	O
Blind Spot Monitoring (BSM)	With Rear Cross Traffic Alert (RCTA)	O	O	O	O	O	O	O
Cruising & Traffic Support (CTS)		—	—	—	—	O	O	O
Driver Attention Alert (DAA)		—	O	O	O	O	O	O
Dynamic Stability Control (DSC)		O	O	O	O	O	O	O
Emergency Stop Signalling system (ESS)		O	O	O	O	O	O	O
Hill Launch Assist (HLA)		O	O	O	O	O	O	O
ISOFIX child seat anchors	Outer rear seats	O	O	O	O	O	O	O
Lane-keep Assist System (LAS)	With Lane Departure Warning System (LDWS)	O	O	O	O	O	O	O
Mazda Radar Cruise Control (MRCC)	With automatic Stop & Go function	O	O	O	O	O	O	O
Off-Road Traction Assist		—	—	O	O	O	O	O
Smart Brake Support (SBS)		O	O	O	O	O	O	O
Smart City Brake Support (SCBS)	Front, including autonomous emergency braking and night-time pedestrian detection	O	O	O	O	O	O	O
	Rear (SCBS-R)	—	O	O	O	O	O	O
Speed Limiter		O	O	O	O	O	O	O
Traction Control System (TCS)		O	O	O	O	O	O	O
Traffic Sign Recognition (TSR)		—	O	O	O	O	O	O
Tyre Pressure Monitoring System (TPMS)		O	O	O	O	O	O	O

† Driver assist technology only and should not be used in place of skilled and safe driving practices. It is the driver's sole responsibility to monitor vehicle surroundings and conditions and comply with all applicable laws at all times.



Mazdacare\* is a comprehensive programme designed to make owning your new CX-5 as worry-free as possible.



### 3 YEAR/100,000 KILOMETRE SERVICING AT NO EXTRA COST<sup>^</sup>

Your new CX-5 includes 3 years or 100,000km (whichever occurs first) of Mazdacare Genuine Mazda Scheduled Servicing at no extra cost. Each service is carried out by a Mazda factory-trained Service Specialist using the latest in vehicle diagnostic equipment, to help maintain optimum driving performance and protect your investment.



### 5 YEAR/UNLIMITED KILOMETRE NEW VEHICLE WARRANTY<sup>†</sup>

The quality built into your new CX-5 is backed by a 5 year, unlimited kilometre manufacturer's warranty.

- 5 year/unlimited kilometre Comprehensive New Vehicle Warranty.
- 5 year/unlimited kilometre Corrosion and Anti-Perforation Warranty.



### 5 YEAR/UNLIMITED KILOMETRE MAZDA ON CALL ROADSIDE ASSISTANCE

Included in your Mazdacare cover is the back-up and motoring support offered through Mazda **On Call**. Whether it's a flat battery, keys locked in vehicle, accident support or a flat tyre, we've got you covered, anywhere, day or night, any time of the year. Our support centres are ready to help with any advice you may need. Call 0800 800 626.

For more information on Mazdacare, go to [mazda.co.nz/services/mazdacare](https://mazda.co.nz/services/mazdacare)

<sup>\*</sup>Your Mazdacare support programme is effective from the date of first registration.

<sup>^</sup>Mazda New Zealand covers all routine service maintenance costs including parts, lubricants and labour for the duration of the programme when service is performed by an authorised Mazda Dealer.

<sup>†</sup>Visit [mazda.co.nz/passenger-vehicle-warranty](https://mazda.co.nz/passenger-vehicle-warranty) to see full disclosure of items covered by the 5 year/unlimited km New Passenger Vehicle Warranty.

---



---

All care is taken to ensure the accuracy of this brochure at the time of publication. Specifications, features and model availability may vary from Dealer to Dealer and may change without notice. Please refer to [mazda.co.nz](http://mazda.co.nz) or consult your Mazda Dealer prior to placing an order to ascertain current information on model availability, specification, options, features and prices. Mazda Motors of New Zealand Limited will not be liable for any loss arising from the information in this brochure, whether in negligence or otherwise. Mazda Motors of New Zealand Limited, PO Box 132057, Sylvia Park, Auckland 1644.

[www.mazda.co.nz](http://www.mazda.co.nz)  
March 2022  
MZ4900662